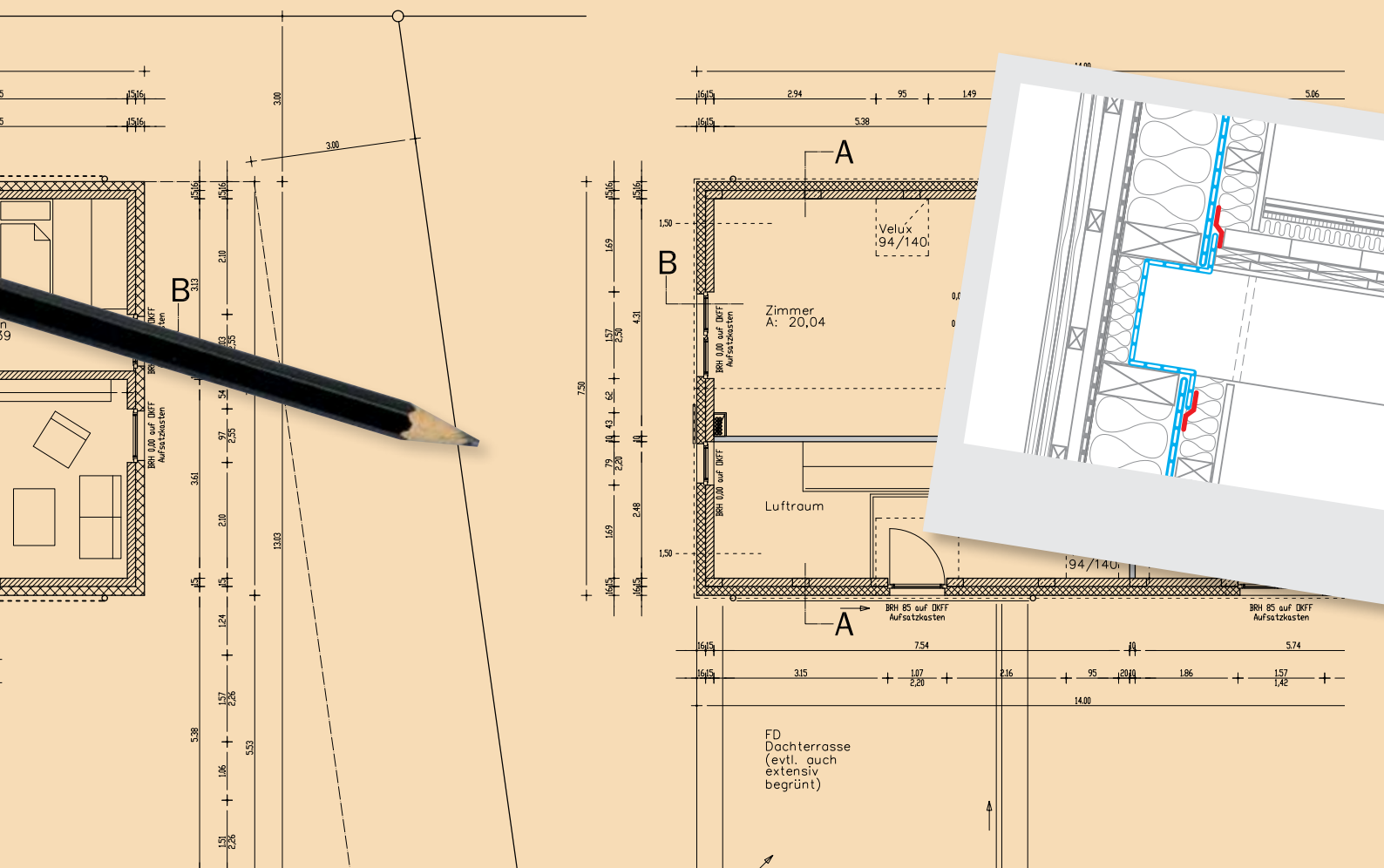




# Permanent safe Constructions

Optimal external sealing for perfect windtightness and insulation



roof underlay | wall lining | façades



# Exterior wind sealing Sarking

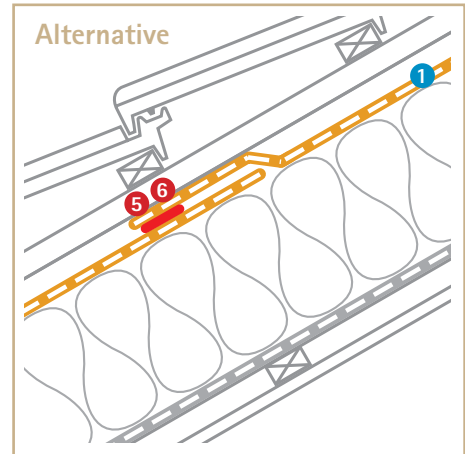
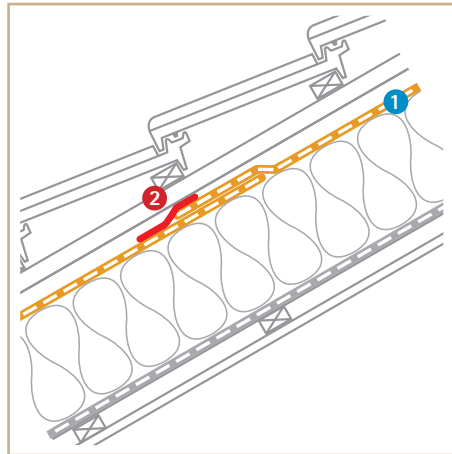
## Legend

- 1 Underlay or sarking membranes  
SOLITEX MENTO family\*)  
SOLITEX UD  
SOLITEX PLUS\*)
- 2 Adhesive tape  
TESCON VANA  
TESCON No.1
- 3 Nail sealing tape  
TESCON NAIDEC
- 4 Joint adhesive  
ORCON F  
ORCON CLASSIC
- 5 connect technology  
(integrated self-adhesive zones)
- 6 Double-sided adhesive tape  
DUPLEX
- 7 Pipe grommet  
ROFLEX \*\*)
- 8 Chimney insulated,  
double-wall
- 9 Protruding lath
- 10 Separation lath
- 11 Position held by 3-4 mm of  
hard fibre or chipboard strip, for  
example.
- 12 Rafter
- 13 Counter lath

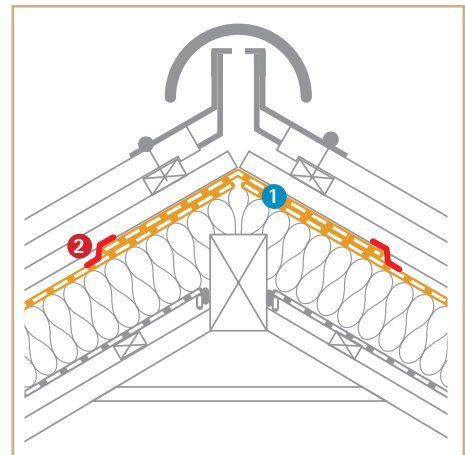
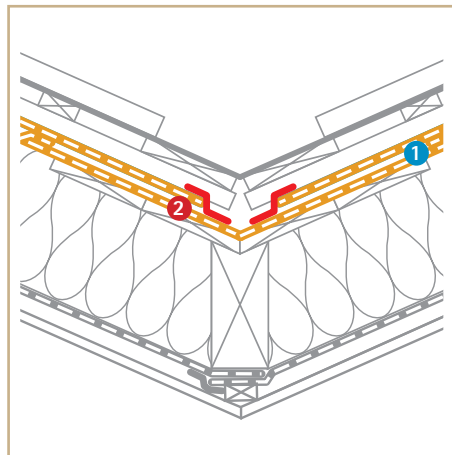
## Info

\*) For blown-in insulation, the use of reinforced SOLITEX PLUS or SOLITEX MENTO PLUS is recommended

\*\*) Alternatively, pipes can be sealed using short strips of TESCON VANA or TESCON No.1.

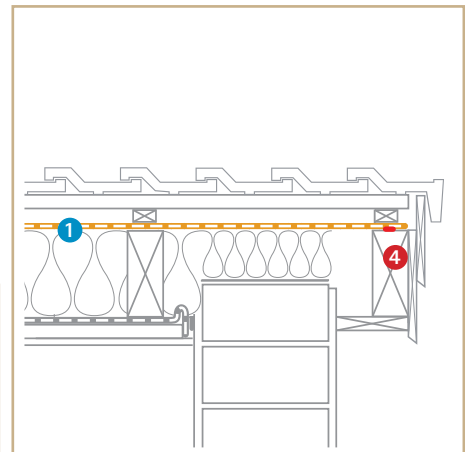
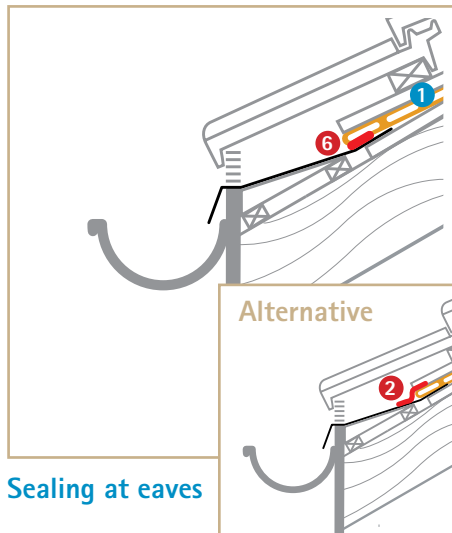


Sticking and overlapping



Valley detail

Structure of hip and ridge

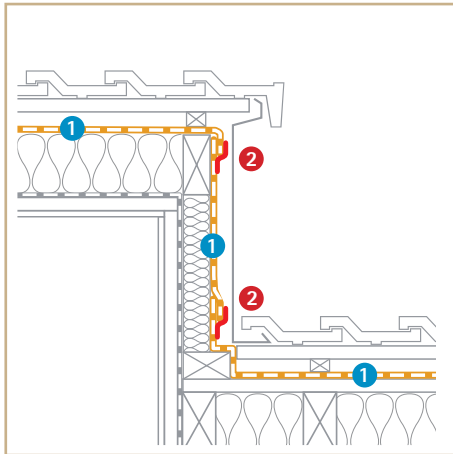


Sealing at eaves

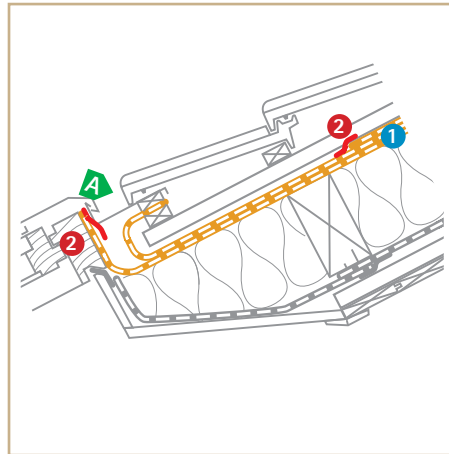
Sealing at bargeboard



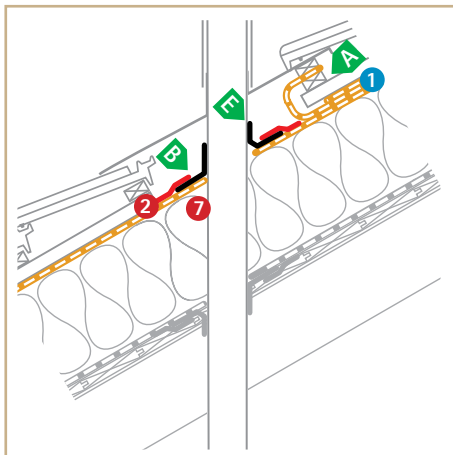
When using pro clima SOLITEX membranes, the entire cavity can be filled with insulation. Complicated and often ineffective replace with: "ventilation between the membrane and the insulation" at the eaves, ridge, valley, hip and additional roof features are thus unnecessary.



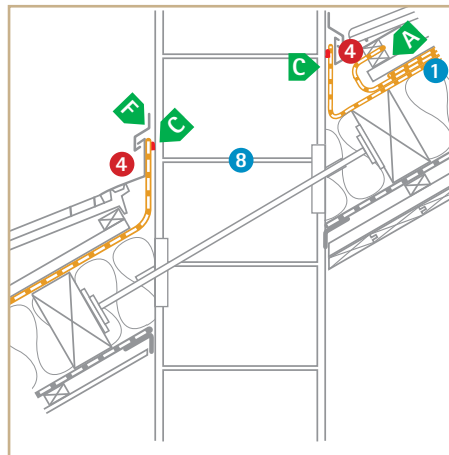
Sealing at dormer window



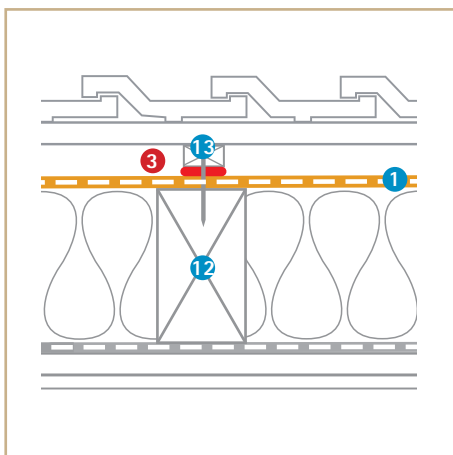
Sealing at skylights incl. sheeting channel



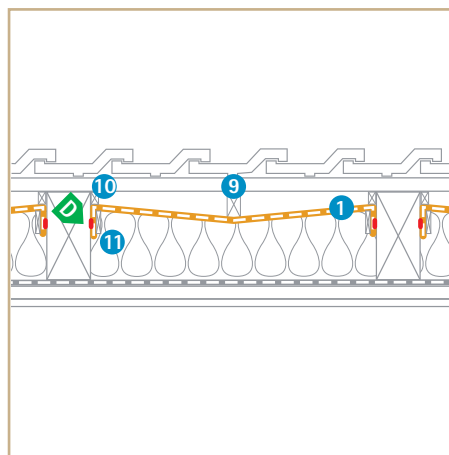
Pipe or cable feed-throughs



Chimney penetration



Detail view of nail sealing



Retrofit installation of wind sealing/rear ventilation layer

### Tips

- A** Allow for cross-drainage above the component
- B** Ensure that there is waterproof adhesion all around the circumference.
  - 1st strip on bottom
  - 2nd + 3rd strip left
  - Last strip at top
- C** Leave slack when applying the membrane to allow for relative motion between components.
- D** Stick with ORCON F or ORCON CLASSIC if necessary
- E** Alternative: EXTONSEAL MAGOV
- F** Alternative: EXTONSEAL FINOC

Please also observe the general information on sealing to chimneys on page 8 (Interior Construction).

# Exterior wind sealing Facade

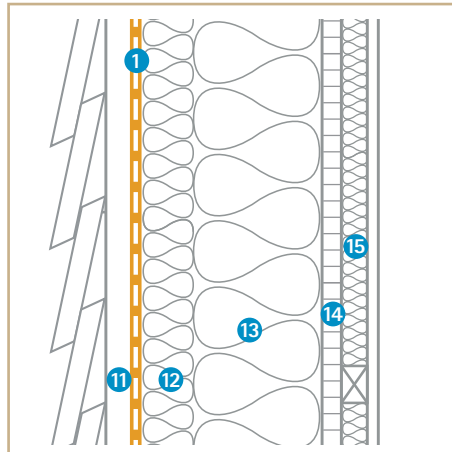
## Legend

- 1 Wall lining membrane SOLITEX FRONTA WA\*)
- 2 Wall lining membrane SOLITEX FRONTA QUATTRO\*)
- 3 Wall lining membrane SOLITEX FRONTA HUMIDA\*)
- 4 Sealing tape TESCON VANA  
TESCON No.1  
TESCON PROFIL
- 5 Window sealing tape CONTEGA EXO\*\*)
- 6 Window sealing tape CONTEGA IQ\*\*)
- 7 Joint adhesive ORCON F  
ORCON CLASSIC  
or DUPLEX  
double-sided adhesive tape
- 8 EXTONSEAL ENCORS waterproof  
adhesive tape
- 9 Gap lining
- 10 Pre-wall shell
- 11 Air layer
- 12 Wood fibre insulating panel
- 13 Compartment insulation
- 14 Vapour retarding and airtightness  
layer, e.g. wood-based panel
- 15 Installation layer
- 16 Exterior plastering

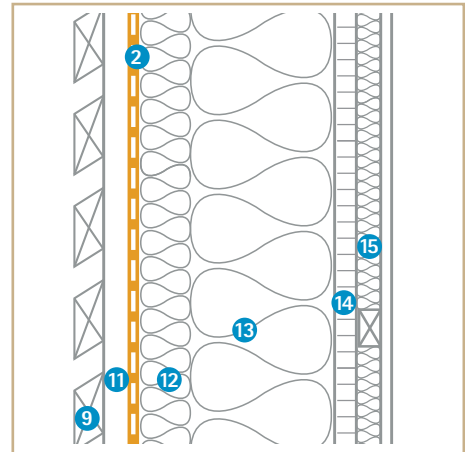
## Info

\*) To improve windproofing, stick SOLITEX membranes to each other and to all adjacent components.

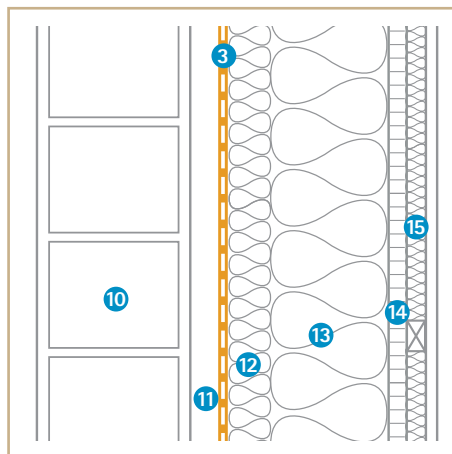
\*\*\*) Gypsum plasters have very good adhesion on CONTEGA fleece. A bonding bridge – e.g. a reinforcing mortar – must be used for lime and cement plasters.



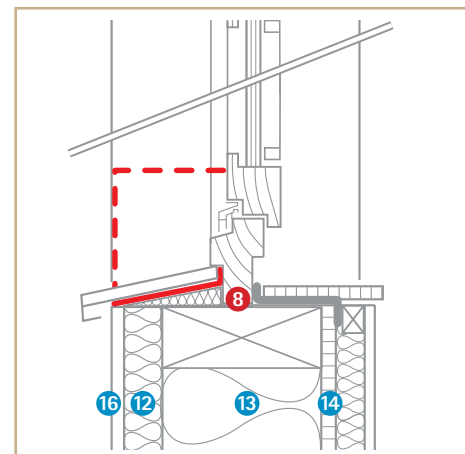
Standard structure, closed facade



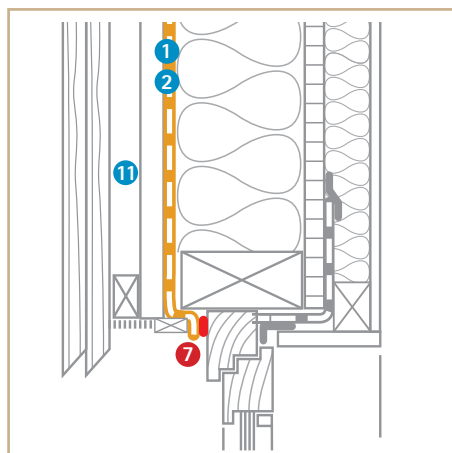
Standard structure, partially open facade



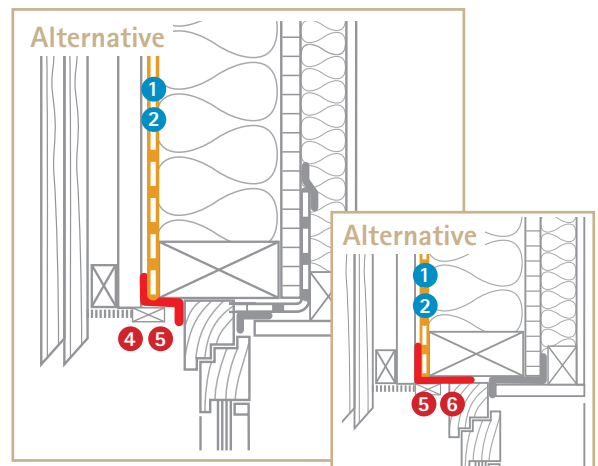
Standard structure, timber wall  
behind ventilated masonry wall

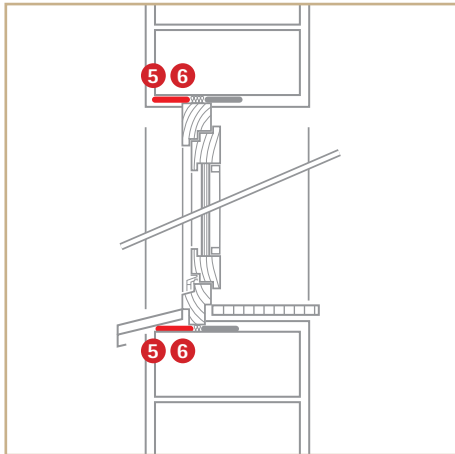


Window sill in timber construction

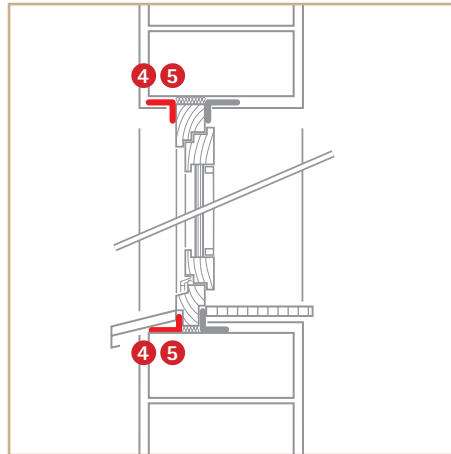


Facade, window sealing





Sealing at windows, at the side of the frame, masonry wall



Sealing at windows, on the frame, masonry wall

# Additional system solutions for sealing of the building envelope



Interior air sealing

## INTELLO maximum reliability system

### INTELLO vapour retarder and air sealing system

Maximum protection against structural damage and mould – also for sophisticated civil engineering structures. Humidity-variable  $s_d$  value 0.25 to >25 m.



Refurbishment and modernisation

## New protection for existing structures – the DASATOP system

### The DASATOP sub-and-top refurbishment system

Optimised for roof restoration from the outside. Quick, simple, reliable!



Exterior wind sealing

## Best possible protection for roofs and walls – the SOLITEX system

### Highly permeable roof lining and facade membranes

The best quality for reliable structures that are free of structural damage and mould for roofs and walls.



## Secure bonding and detail solutions

- All-round adhesive tapes and joint adhesives for interior and exterior use
- Plaster sealing tapes
- Sealing grommets

You can also visit  
pro clima ONLINE!

Further information and  
background information at

[www.proclima.com](http://www.proclima.com)



## Information and ordering

You can obtain information on all pro clima systems, tender information and brochures quickly and simply by contacting our information service:

Phone: +49 (0) 62 02 – 27 82.0

Fax: +49 (0) 62 02 – 27 82.21

eMail: [info@proclima.com](mailto:info@proclima.com)

The applications and conditions described here are based on current state-of-the-art research and practical experience. We reserve the right to change the recommended structures and processing methods and to further develop and thus alter the quality of individual products. We would be glad to inform you about the current state of engineering knowledge at the time that your installation is carried out.

Further information about application and construction is given in the pro clima planning documentation and application recommendations. If you have any questions, please call the pro clima technical hotline Ireland and UK:

**Ecological Building Systems Ltd.**  
Main St, Athboy  
Co Meath  
Phone: +353 469432104  
Fax: +353 469432435  
[info@ecologicalbuildingsystems.com](mailto:info@ecologicalbuildingsystems.com)  
[www.ecologicalbuildingsystems.com](http://www.ecologicalbuildingsystems.com)

For Stockists contact  
Ireland  
T. 046 9432104  
F. 046 9432435  
UK  
T. 01228 711511  
F. 01228 712280

**MOLL**  
bauökologische Produkte GmbH  
Rheintalstraße 35–43  
D-68723 Schwetzingen  
Germany  
☎ +49 (0) 62 02 – 27 82.0  
☎ +49 (0) 62 02 – 27 82.21  
[info@proclima.com](mailto:info@proclima.com)



[www.proclima.com](http://www.proclima.com)