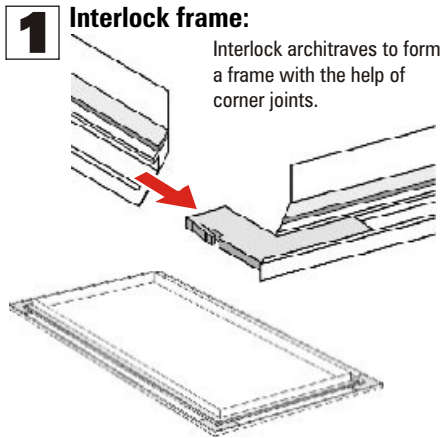


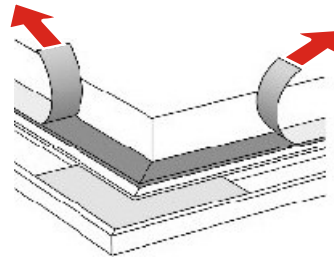
Installation Guide architraves

Unpack and mount architraves only after completion of any other ceiling-related work!

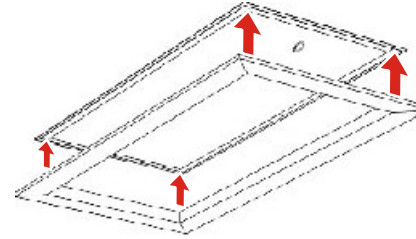


2 Attach frame by way of trial.

3 Uncover adhesive tape:

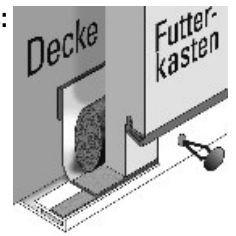


4 Mount architraves:
Keep attic hatch closed and press frame from below onto clean lining bar and press firmly.



5 Position retaining pins:

Secure architraves on both longitudinal sides, 2 times respectively:
- drill \varnothing 4mm at a distance of approx. 20 cm to the corner and approx. 1.5 cm to the bottom edge
- push in retaining pins



6 Remove protective foil from architrave bottom.

weilhöfer
TREPPEN AUS WÜRZBURG