

Exterior wind sealing Sarking

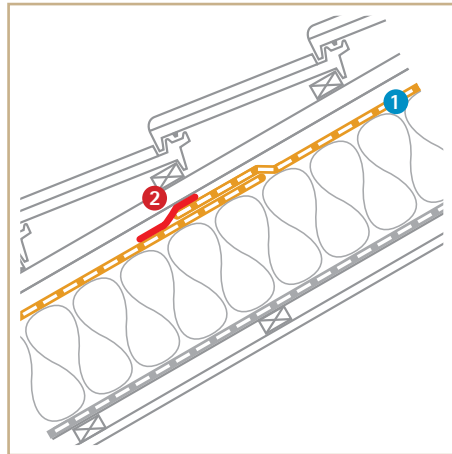
Legend

- 1 Underlay or sarking membranes
SOLITEX MENTO family*)
SOLITEX UD
SOLITEX PLUS*)
- 2 Adhesive tape
TESCON VANA
TESCON No.1
- 3 Nail sealing tape
TESCON NAIDEC
- 4 Joint adhesive
ORCON F
ORCON CLASSIC
- 5 connect technology
(integrated self-adhesive zones)
- 6 Double-sided adhesive tape
DUPLEX
- 7 Pipe grommet
ROFLEX **)
- 8 Chimney insulated,
double-wall
- 9 Protruding lath
- 10 Separation lath
- 11 Position held by 3-4 mm of
hard fibre or chipboard strip, for
example.
- 12 Rafter
- 13 Counter lath

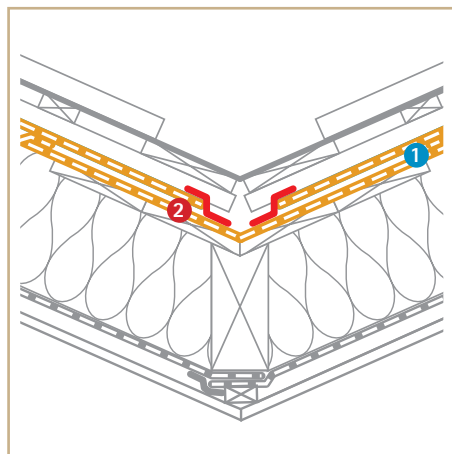
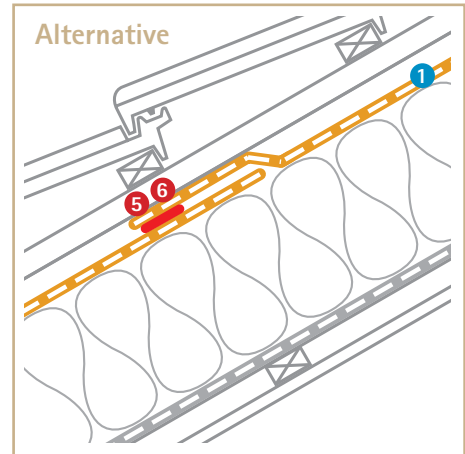
Info

*) For blown-in insulation, the use of reinforced SOLITEX PLUS or SOLITEX MENTO PLUS is recommended

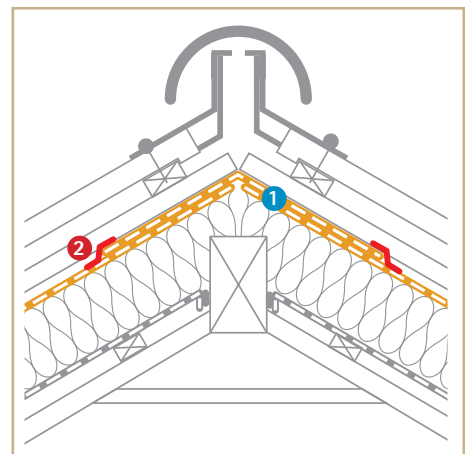
**) Alternatively, pipes can be sealed using short strips of TESCON VANA or TESCON No.1.



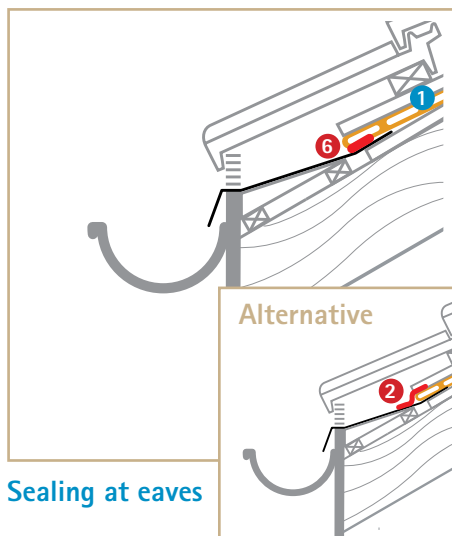
Sticking and overlapping



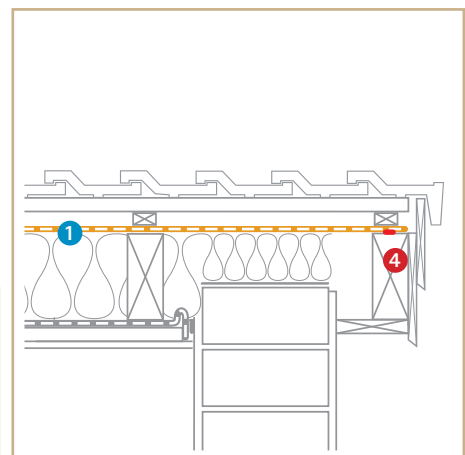
Valley detail



Structure of hip and ridge



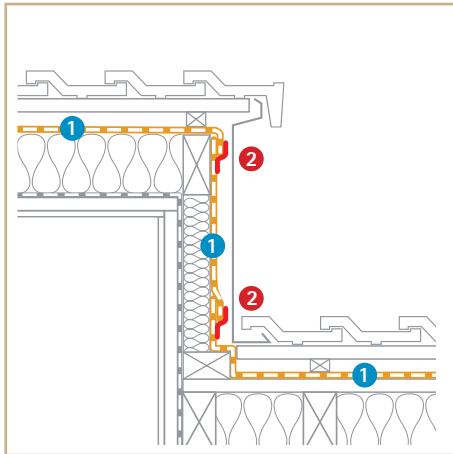
Sealing at eaves



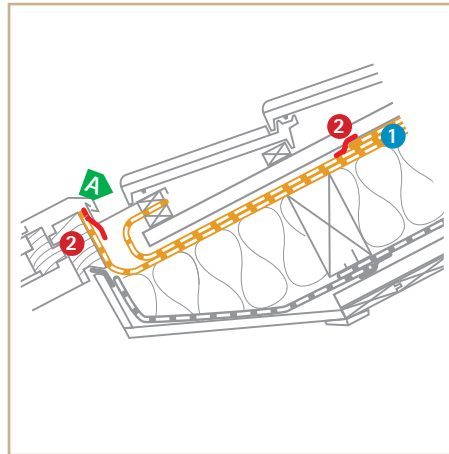
Sealing at bargeboard



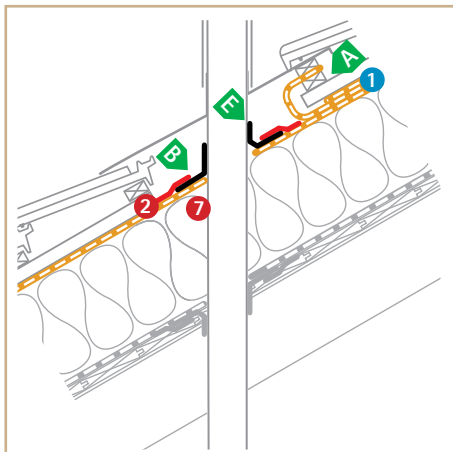
When using pro clima SOLITEX membranes, the entire cavity can be filled with insulation. Complicated and often ineffective replace with: "ventilation between the membrane and the insulation" at the eaves, ridge, valley, hip and additional roof features are thus unnecessary.



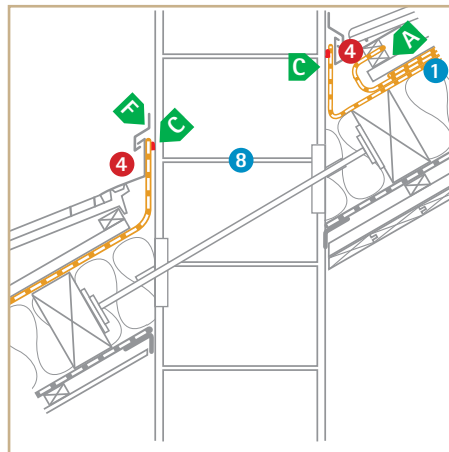
Sealing at dormer window



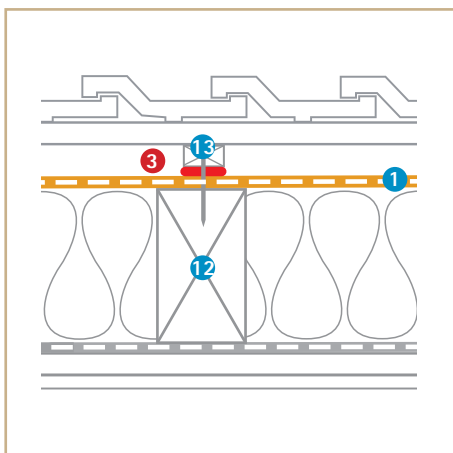
Sealing at skylights incl. sheeting channel



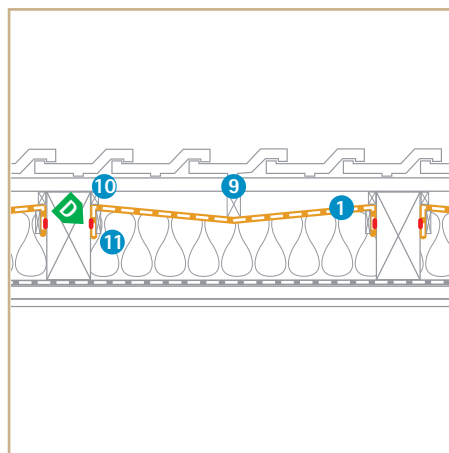
Pipe or cable feed-throughs



Chimney penetration



Detail view of nail sealing



Retrofit installation of wind sealing/rear ventilation layer

Tips

- A** Allow for cross-drainage above the component
- B** Ensure that there is waterproof adhesion all around the circumference.
 - 1st strip on bottom
 - 2nd + 3rd strip left
 - Last strip at top
- C** Leave slack when applying the membrane to allow for relative motion between components.
- D** Stick with ORCON F or ORCON CLASSIC if necessary
- E** Alternative: EXTONSEAL MAGOV
- F** Alternative: EXTONSEAL FINOC

Please also observe the general information on sealing to chimneys on page 8 (Interior Construction).

Exterior wind sealing Facade

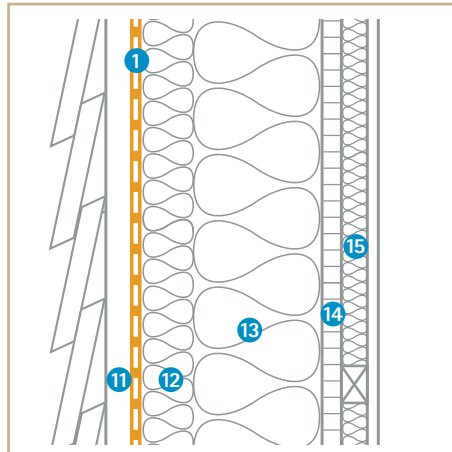
Legend

- 1 Wall lining membrane SOLITEX FRONTA WA*)
- 2 Wall lining membrane SOLITEX FRONTA QUATTRO*)
- 3 Wall lining membrane SOLITEX FRONTA HUMIDA*)
- 4 Sealing tape TESCON VANA
TESCON No.1
TESCON PROFIL
- 5 Window sealing tape CONTEGA EXO**)
- 6 Window sealing tape CONTEGA IQ**)
- 7 Joint adhesive ORCON F
ORCON CLASSIC
or DUPLEX
double-sided adhesive tape
- 8 EXTONSEAL ENCORS waterproof
adhesive tape
- 9 Gap lining
- 10 Pre-wall shell
- 11 Air layer
- 12 Wood fibre insulating panel
- 13 Compartment insulation
- 14 Vapour retarding and airtightness
layer, e.g. wood-based panel
- 15 Installation layer
- 16 Exterior plastering

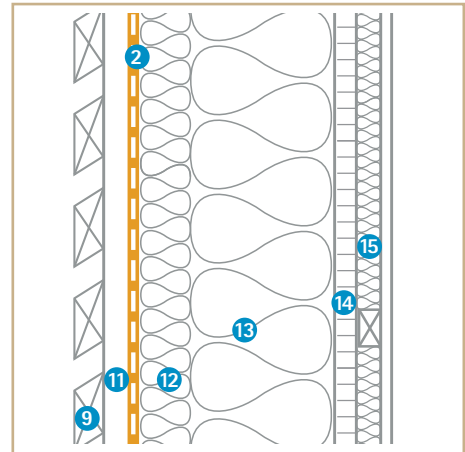
Info

*) To improve windproofing, stick SOLITEX membranes to each other and to all adjacent components.

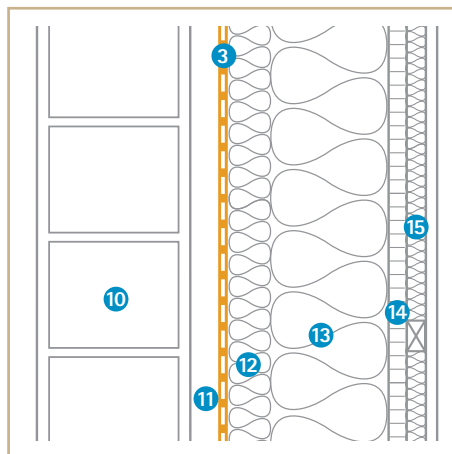
***) Gypsum plasters have very good adhesion on CONTEGA fleece. A bonding bridge – e.g. a reinforcing mortar – must be used for lime and cement plasters.



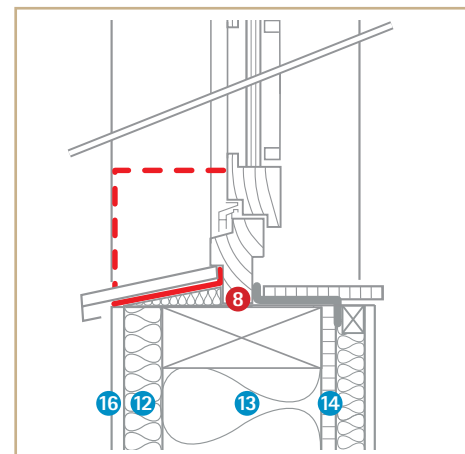
Standard structure, closed facade



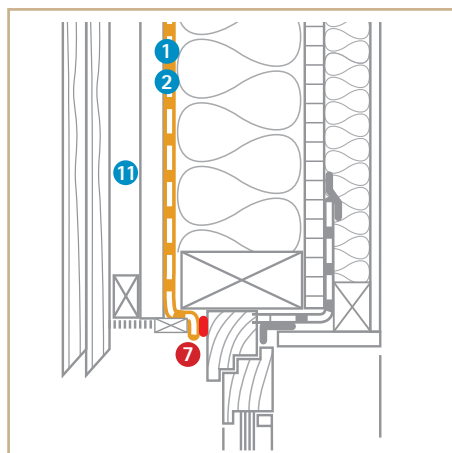
Standard structure, partially open facade



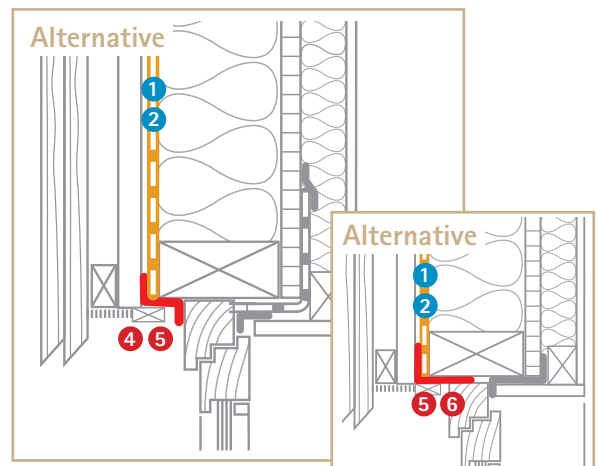
Standard structure, timber wall
behind ventilated masonry wall

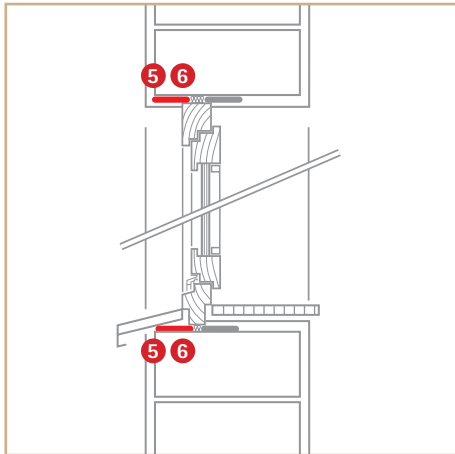


Window sill in timber construction

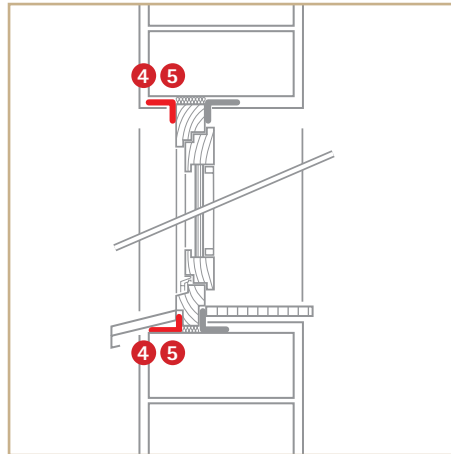


Facade, window sealing





Sealing at windows, at the side of the frame, masonry wall



Sealing at windows, on the frame, masonry wall

