



# Installation Guide Guardrail

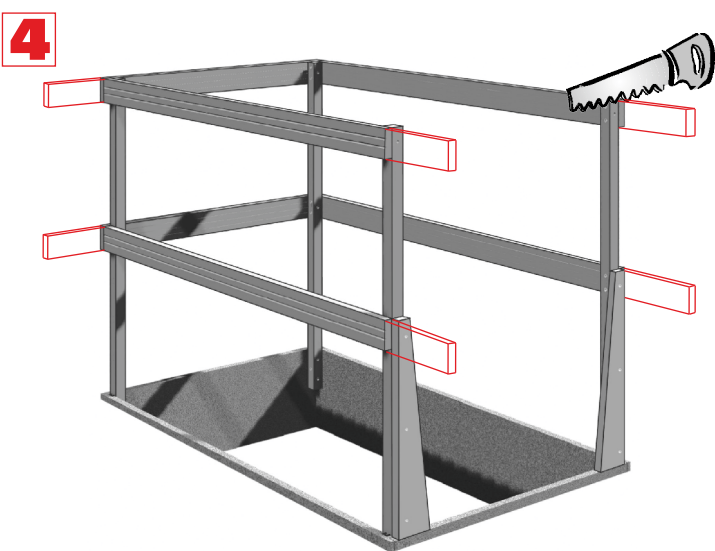
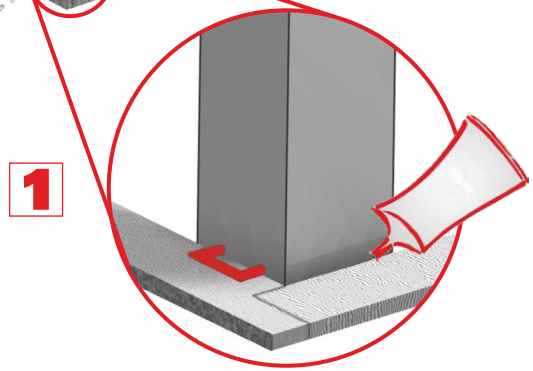
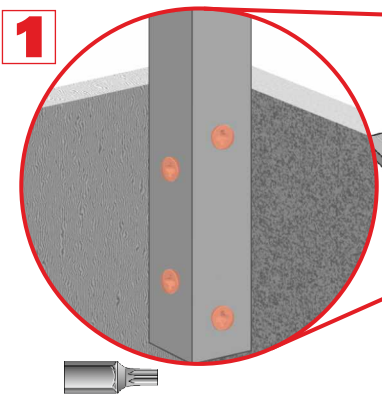
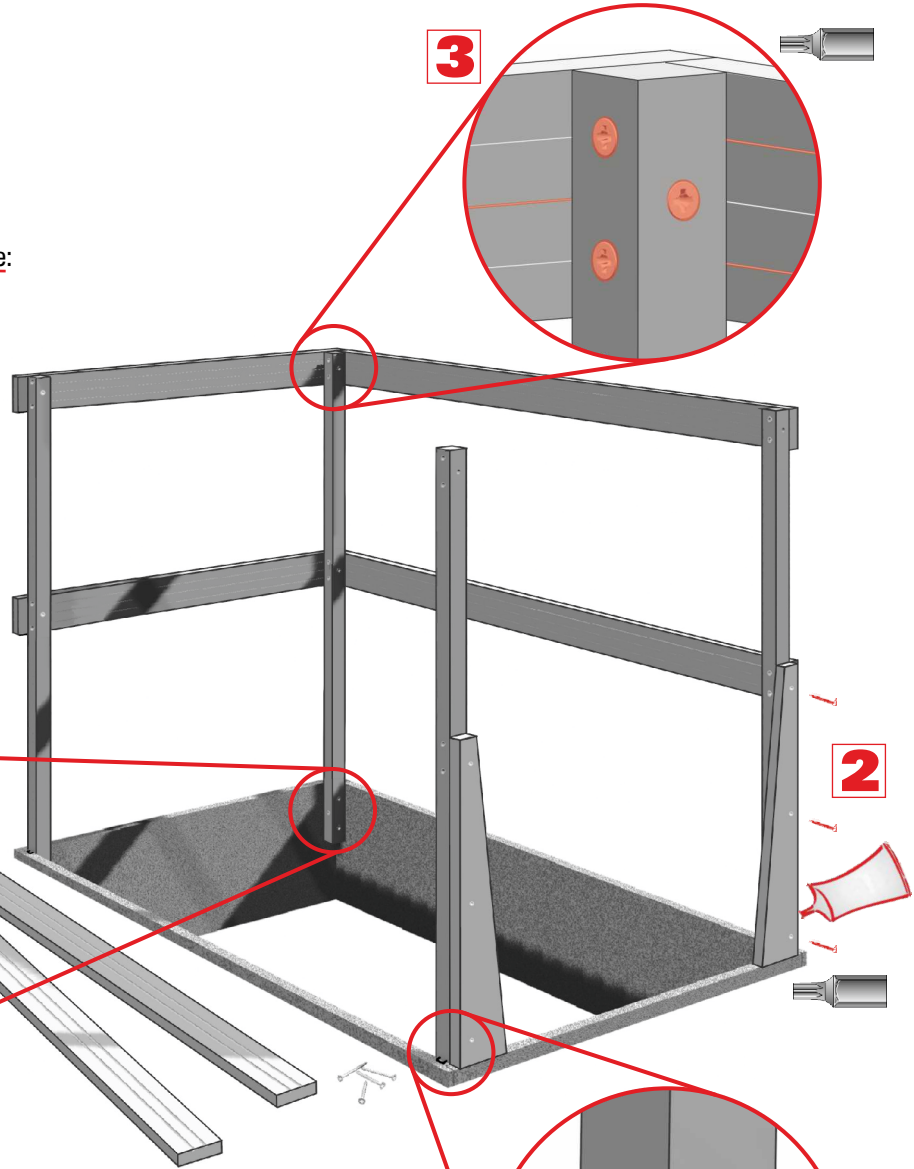


**1** Mount **posts**:  
Place height limiters on side panels.  
Glue and screw posts in place.

**2** Mount **triangular supports** on exit side:  
Glue to the top edge of the casing and flush with the posts. Screw tight.

**3** Screw tight **battens**:  
Always start with one long side.  
Reference:  
2 post holes = outer grooves  
1 post hole = middle groove  
Pre-drill battens with  $\varnothing$  3mm drill.

**4** When all battens are screwed tight,  
cut length if necessary.



---

For over 20 years, Ecological Building Systems has been at the forefront of environmental and sustainable building products supplying a range of innovative airtightness solutions and natural insulations backed up with expert technical support.

**As product suppliers in the UK and Ireland, we're happy to assist you with your projects and have expert technical and sales advice on hand.**



**Call us**

**Great Britain** +44 (0)1228 711511

**Ireland** +353 46 9432104



**Email us**

[info@ecologicalbuildingsystems.com](mailto:info@ecologicalbuildingsystems.com)



**Find us**

**Great Britain** Ecological Building Systems UK Ltd.,  
Cardewlees, Carlisle, Cumbria, CA5 6LF,  
United Kingdom

**Ireland** Ecological Building Systems Ltd.,  
Main Street, Athboy. Co. Meath, C15 Y678,  
Republic of Ireland